

// 13 MONOLED PRODUCT SERIES

ADAPTABLE WORKPLACE LAMPS

MonoLED

The name says it all: one LED installed in a robust housing with a flexible gooseneck arm which can be adjusted quickly and easily - that's the MonoLED.

With our MonoLED you can focus the light wherever you need it. However, its applications are not just restricted to classical fields, like e.g. plant and mechanical engineering.

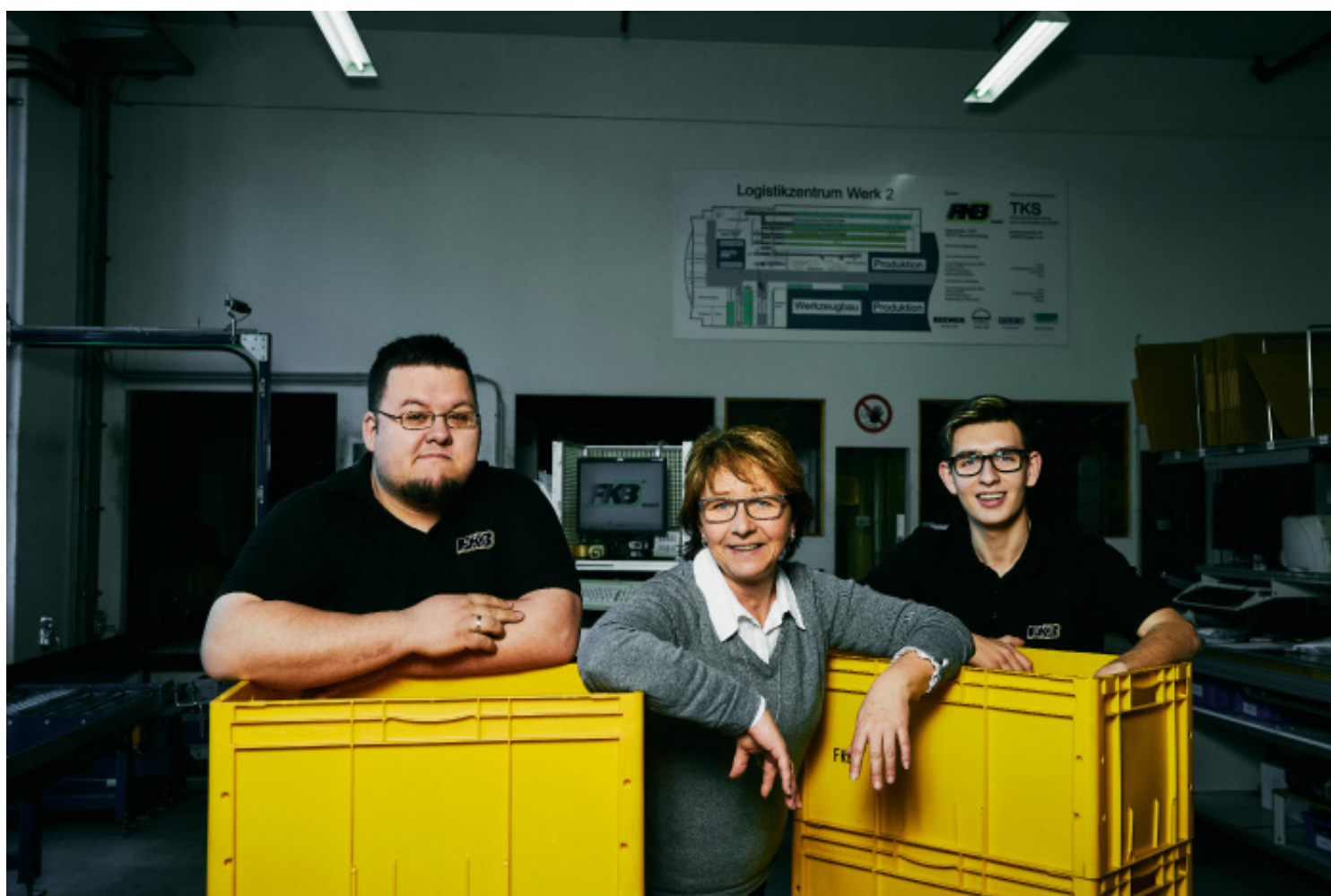
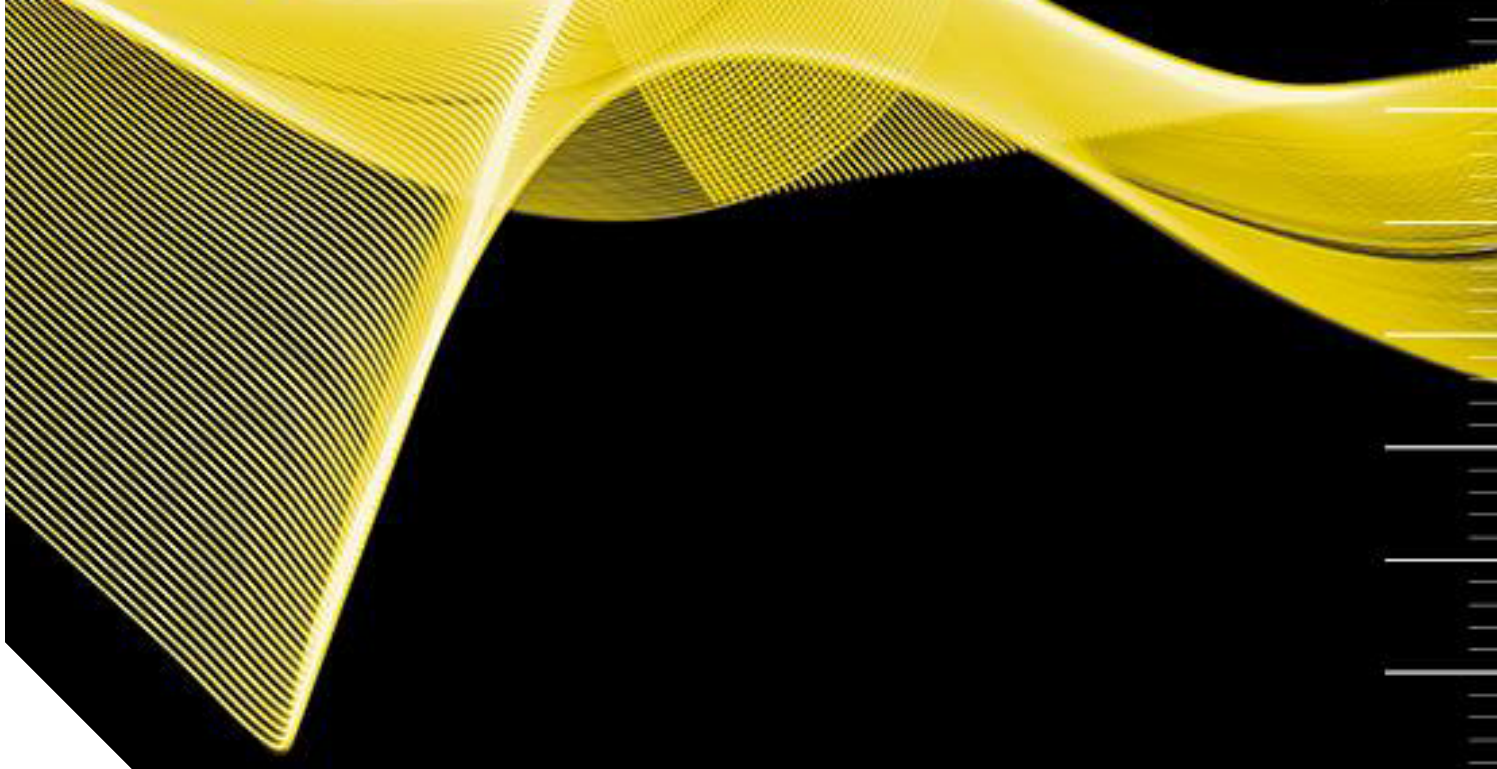
At smaller workplaces, too, like e.g. inspection workstations, the MonoLED provides focused illumination of the workplace.

The flexible gooseneck arm allows you to manually and easily direct the compact lamp head to the desired position.

Within the product series we offer two different operating voltages - 24 V DC and 230 V AC.

Our MonoLED lamps are flexible, robust and reduced to the essentials - or simply put: our MonoLED are quite convenient!





MonoLED

// TECHNICAL DATA

ITEM NO.: 596-026-001

Operating voltage	230 V AC 50 Hz
Rated output	3 W
Ambient temp.	-5°C - max. 40°C
System of protection	IP65
Protection class	SK II
Weight	1,1 kg
Beam angle	15°
Type of lighting	Gooseneck lamp
Scope of application	Industrial sector



// LIGHT SOURCES

Number of LEDs	1
Luminous flux	80 lm
Light colour	5500 K

// BALLAST (internal)

Constant current	700 mA
Output voltage	3-4 V DC

// ELECTRICAL CONNECTION

Cable gland	M16 x 1,5 PA
Connection	Connection cable 1,8 m
Internal connection	luster terminal

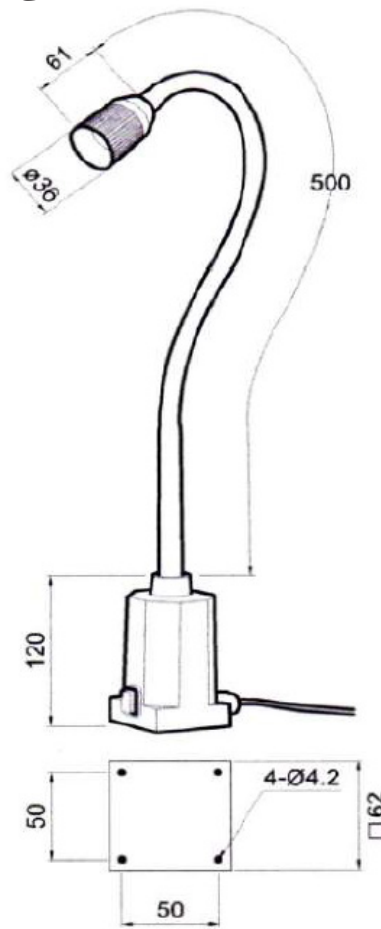
// FEATURES

- Adjustable workplace lamp – flexible gooseneck arm
- Focused illumination of the workplace
- Connection to 230 V
- LED lamp
- Connection cable included

// SHORT OVERVIEW

TYPE	ITEM NO.	VOLTAGE	POWER	LUMINOUS/ LUMEN	ARM-LENGTH/ MM	BEAM ANGLE	SUPPLY LINE
MonoLED	596-026-001	230 V AC	3 W	280	flexibel 500	15°	1,8 m

// TECHNICAL DRAWING



// FIXING (optional)

Screw terminal

Hole spacing 50 x 50 mm

ITEM NO. 213-720-031

// STANDARDS

EN 55015:2016-04
 EN 60598-1:2015-10
 EN 62031:2015-09
 EN 61000-4-4:2013-4
 EN 61000-3-2:2015-3
 EN 61000-4-5:2015-03
 EN 61000-3-3:2014-03

TECHMALUX

MonoLED

// TECHNICAL DATA

ITEM NO.: 596-026-002

Operating voltage	24 V DC
Rated output	5 W
Ambient temp.	-5°C - max. 40°C
System of protection	IP65
Protection class	SK II
Weight	0,67 kg
Beam angle	15°
Coverage	Glas
Type of lighting	Gooseneck lamp
Scope of application	Industrial sector



// LIGHT SOURCES

Number of LEDs	1
Luminous flux	280 lm
Light colour	5500 K

// BALLAST (external)

Output voltage	24 V DC
Output power	min. 10 W

// ELECTRICAL CONNECTION

Cable gland	M16 x 1,5 PA
Connection	Connection cable 1,8 m
Internal connection	luster terminal

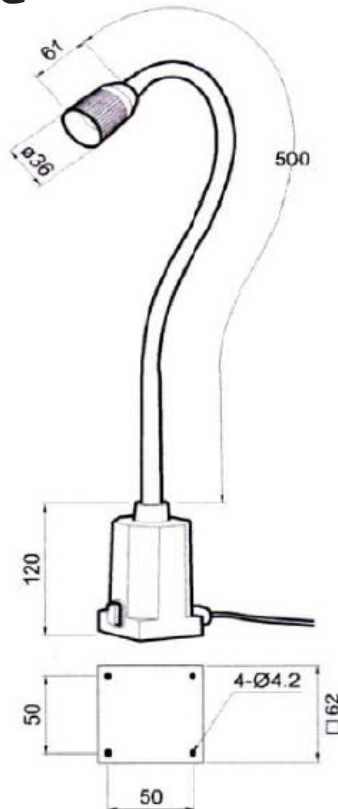
// FEATURES

- Focused illumination of the workplace
- Flexibility & mobility
- Connection to machine voltage 24 V DC
- Light colour 5500 K
- Connection cable included

// SHORT OVERVIEW

TYPE	ITEM NO.	VOLTAGE	POWER	LUMINOUS/ LUMEN	ARM-LENGTH/ MM	BEAM ANGLE	SUPPLY LINE
MonoLED	596-026-002	24 V DC	5 W	280	flexibel 500	15°	1,8 m

// TECHNICAL DRAWING



// FIXING / ACCESSORIES (optional)

Power supply SELV (IP67)



ITEM NO. 213-820-219

Input: 110-240 V | 50-60 Hz

Output: 24 V DC | max. 25 W

Screw terminal

Hole spacing 50 x 50 mm

ITEM NO. 213-720-031

// STANDARDS

EN 55015:2016-04
 EN 60598-1:2015-10
 EN 62031:2015-09
 EN 61000-4-4:2013-4
 EN 61000-3-2:2015-3
 EN 61000-4-5:2015-03
 EN 61000-3-3:2014-03

TECHMALUX