

// 14 POLYLED PRODUCT SERIES

ROBUSTNESS MEETS FLEXIBILITY

PolyLED

What slightly resembles a camera is in reality our popular PolyLED lamp.

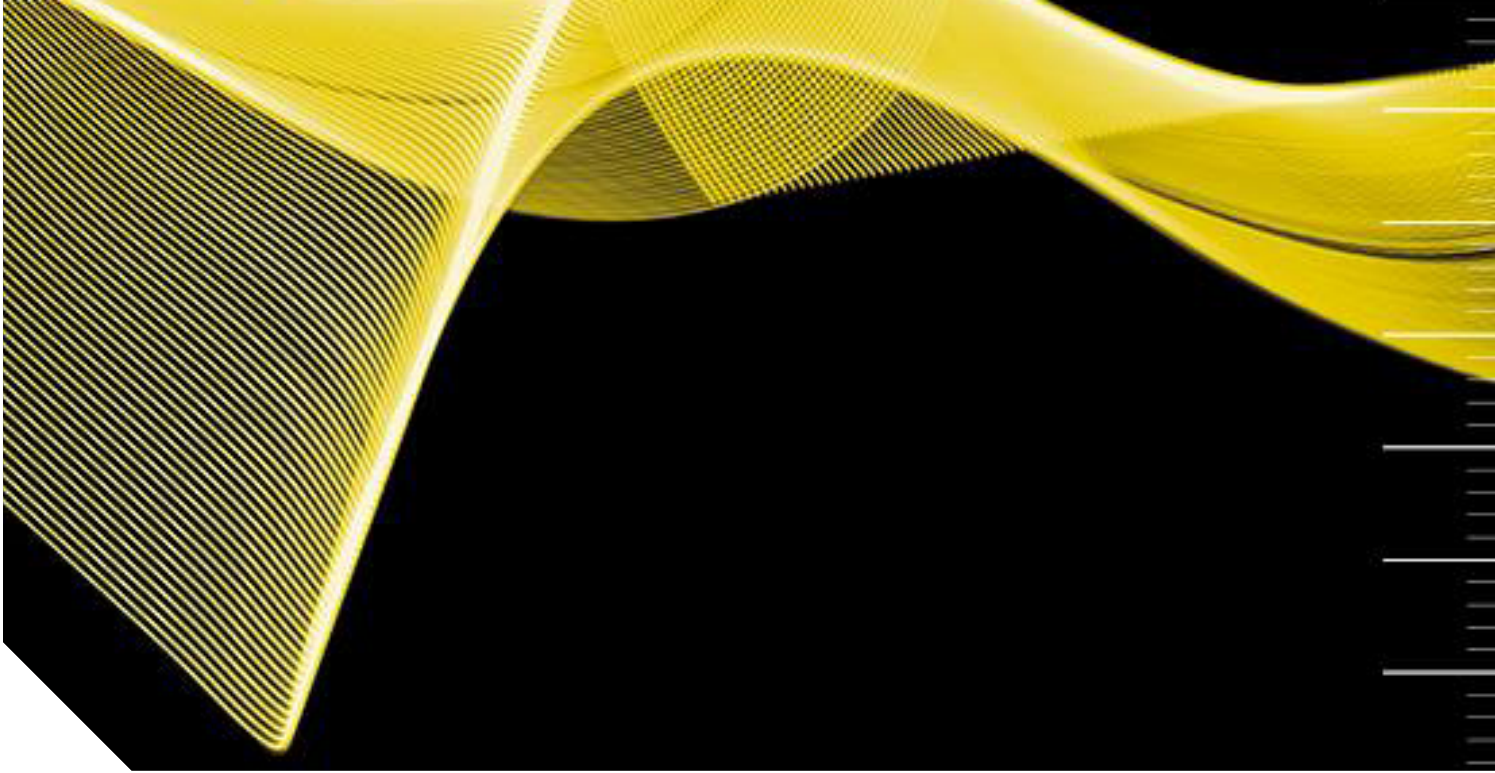
„Poly“ means „more“, „diverse“, „a lot“.
Which also applies to our lamp series.

Our PolyLED can do MORE! More than many other workplace lamps:
it is rotatable, swivelling, tiltable. The convenient handle at the
lamp head allows you to direct the light exactly where you need it.
The optics of 20° ensures focused illumination directly on to a specific point.

Our PolyLED is DIVERSE – or let us say „different“: Due to the combination of
a robust housing and a relatively „warm“ light colour of 3000 K, the PolyLED
creates a pleasant blend of hard and soft. A resistant body and light which
provides a pleasant work environment – that’s how it should be!

Finally, it may be concluded: our PolyLED simply can do a LOT!



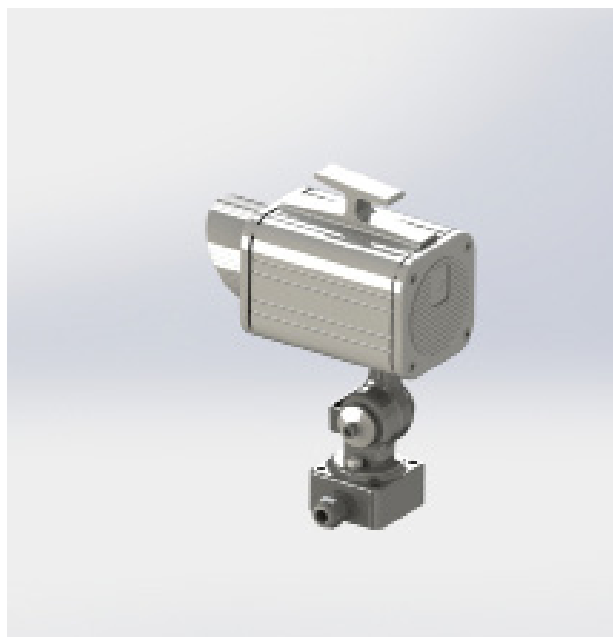


PolyLED SP

// TECHNICAL DATA

ITEM NO.: 595-011-010

| | |
|----------------------|---------------------|
| Operating voltage | 24 V DC |
| Rated output | 7,2 W |
| Ambient temp. | -5°C - max. 40°C |
| System of protection | IP67 |
| Protection class | SK II |
| Weight | 1,46 kg |
| Coverage | Tempax |
| Lamp housing | Aluminium, anodized |
| Type of lighting | Articulated lamp |
| Scope of application | Industrial sector |



// LIGHT SOURCES

| | |
|------------------|------------|
| Number of LEDs | 6 |
| Beam angle | 20° |
| Current | 300 mA |
| Lifetime | > 60.000 h |
| Luminous flux | 700 lm |
| Light efficiency | 97 lm / W |
| Light colour | 3000 K |

// BALLAST (external)

| | |
|----------------|-----------|
| Output voltage | 24 V DC |
| Output power | min. 12 W |

// ELECTRICAL CONNECTION

| | |
|---------------------|-----------------|
| Cable gland | M16 x 1,5 PA |
| Internal connection | Luster terminal |

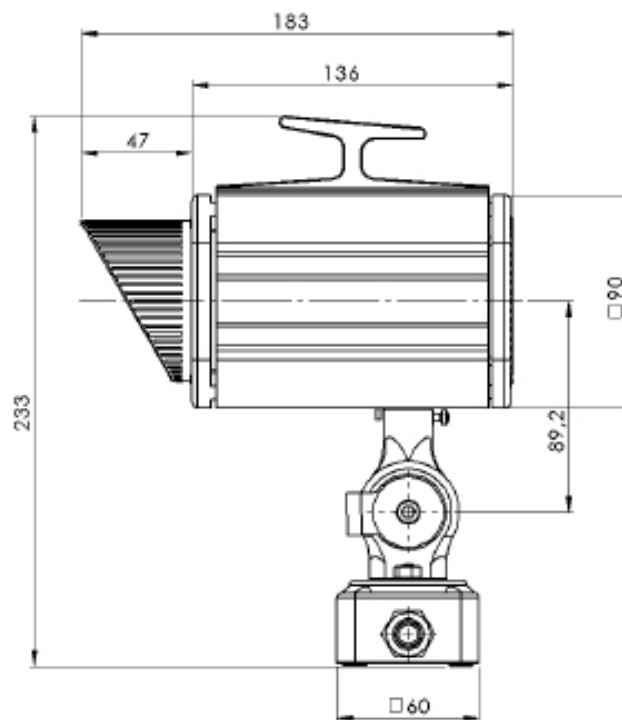
// FEATURES

- Robust aluminium lamp housing
- Practical handle at the lamp head
- Rotatable and tiltable – flexible illumination
- Connection to machine voltage 24 V DC
- Various accessories available – for even more flexibility

// SHORT OVERVIEW

| TYPE | ITEM NO. | VOLTAGE | POWER | LUMINOUS/ LUMEN | COVERAGE | DIMENSIONS/ MM | CONNECTION |
|------------|-------------|---------|-------|-----------------|----------|----------------|-------------|
| PolyLED SP | 595-011-010 | 24 V DC | 7,2 W | 700 | Tempax | 233x183x60 | cable gland |

// TECHNICAL DRAWING



// FIXING / ACCESSORIES (optional)

Power supply SELV (IP67)

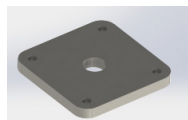


ITEM NO. 213-820-219

Input: 110-240 V | 50-60 Hz |

Output: 24 V DC | max. 25 W

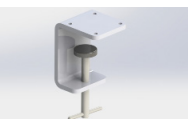
Fixation plate



ITEM NO. 350-003-060

for rotary base in stainless steel 1.4301

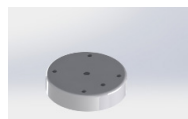
Screw terminal



ITEM NO. 599-001-006

for rotary base fixing

Magnet



213-720-005

Ø 80mm

// STANDARDS

EN 55015:2016-04

EN 60598-1:2015-10

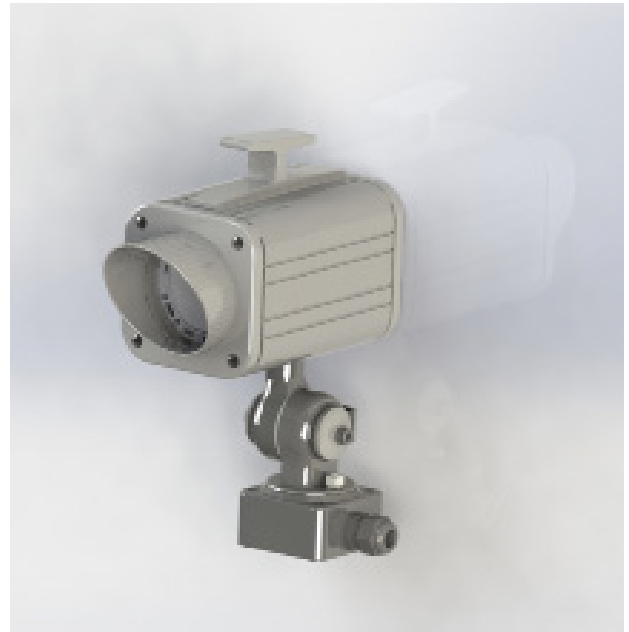
TECHMALUX

PolyLED SP

// TECHNICAL DATA

ITEM NO.: 595-011-011

| | |
|----------------------|---------------------|
| Operating voltage | 230 V AC 50 Hz |
| Rated output | 20 W |
| Ambient temp. | -5°C - max. 40°C |
| System of protection | IP67 |
| Protection class | SK I |
| Weight | 1,77 kg |
| Coverage | Tempax |
| Lamp housing | Aluminium, anodized |
| Type of lighting | Articulated lamp |
| Scope of application | Industrial sector |



// LIGHT SOURCES

| | |
|------------------|---------|
| Number of COB | 1 |
| Beam angle | 60° |
| Colour rendering | Ra = 90 |
| Luminous flux | 1900 lm |
| Light colour | 4000 K |

// ELECTRICAL CONNECTION

| | |
|---------------------------|-----------------|
| Cable gland | M16 x 1,5 PA |
| Type of connection | luster terminal |
| Internal electrical lines | Multinorm wires |

// FEATURES

- Robust aluminium housing
- Illumination directly on to a point – rotatable and tiltable head
- Quick positioning of the lamp via practical handle
- Connection to 230 V AC
- Resistant against common coolants and lubricants

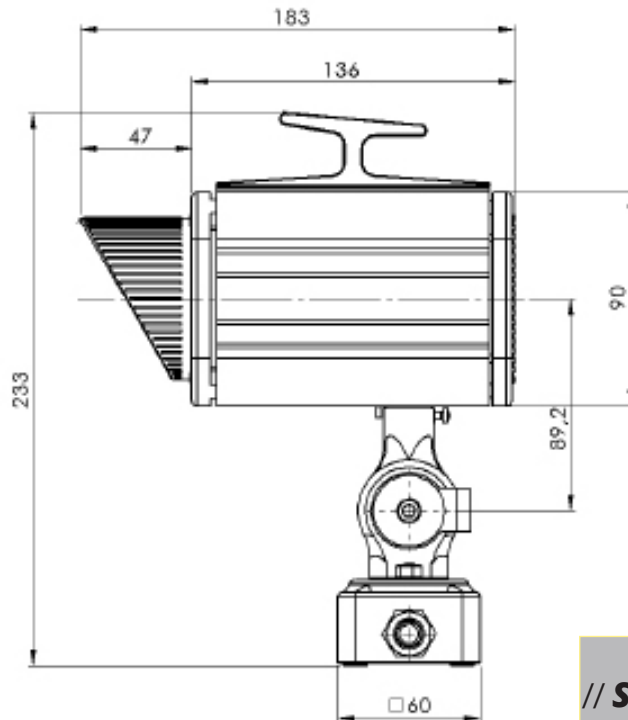
// SHORT OVERVIEW

| TYPE | ITEM NO. | VOLTAGE | POWER | LUMINOUS/ LUMEN | COVERAGE | DIMENSIONS/ MM | CONNECTION |
|------------|-------------|----------|-------|-----------------|------------------|----------------|-------------|
| PolyLED SP | 595-011-011 | 230 V AC | 20 W | 1900 | Tempax/ Lens 60° | 233x183x60 | cable gland |

// VARIATIONS

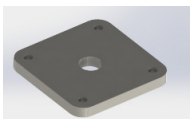
| TYPE | ITEM NO. | VOLTAGE | POWER | LUMINOUS/ LUMEN | COVERAGE | DIMENSIONS/ MM | CONNECTION |
|------------|-------------|----------|-------|-----------------|------------------|----------------|-------------|
| PolyLED SP | 595-011-012 | 230 V AC | 20 W | 1900 | Tempax/ Lens 25° | 233x183x60 | cable gland |
| PolyLED SP | 595-011-013 | 230 V AC | 20 W | 1900 | Tempax/ Lens 60° | 350x350x90 | cable gland |

// TECHNICAL DRAWING



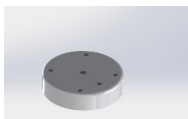
// FIXING (optional)

Fixation plate



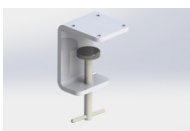
ITEM NO. 350-003-060
for rotary base in Stainless steel 1.4301

Magnet



213-720-005
Ø 80mm

Screw terminal



ITEM NO. 599-001-006
for rotary base fixing

// STANDARDS

EN 55015:2016-04
EN 60598-1:2015-10
EN 62031:2015-09

TECHMALUX