

// 01 AULED PRODUCT SERIES

STYLE & FUNCTIONALITY IN PERFECTION

AuLED

What distinguishes our AuLED product series?

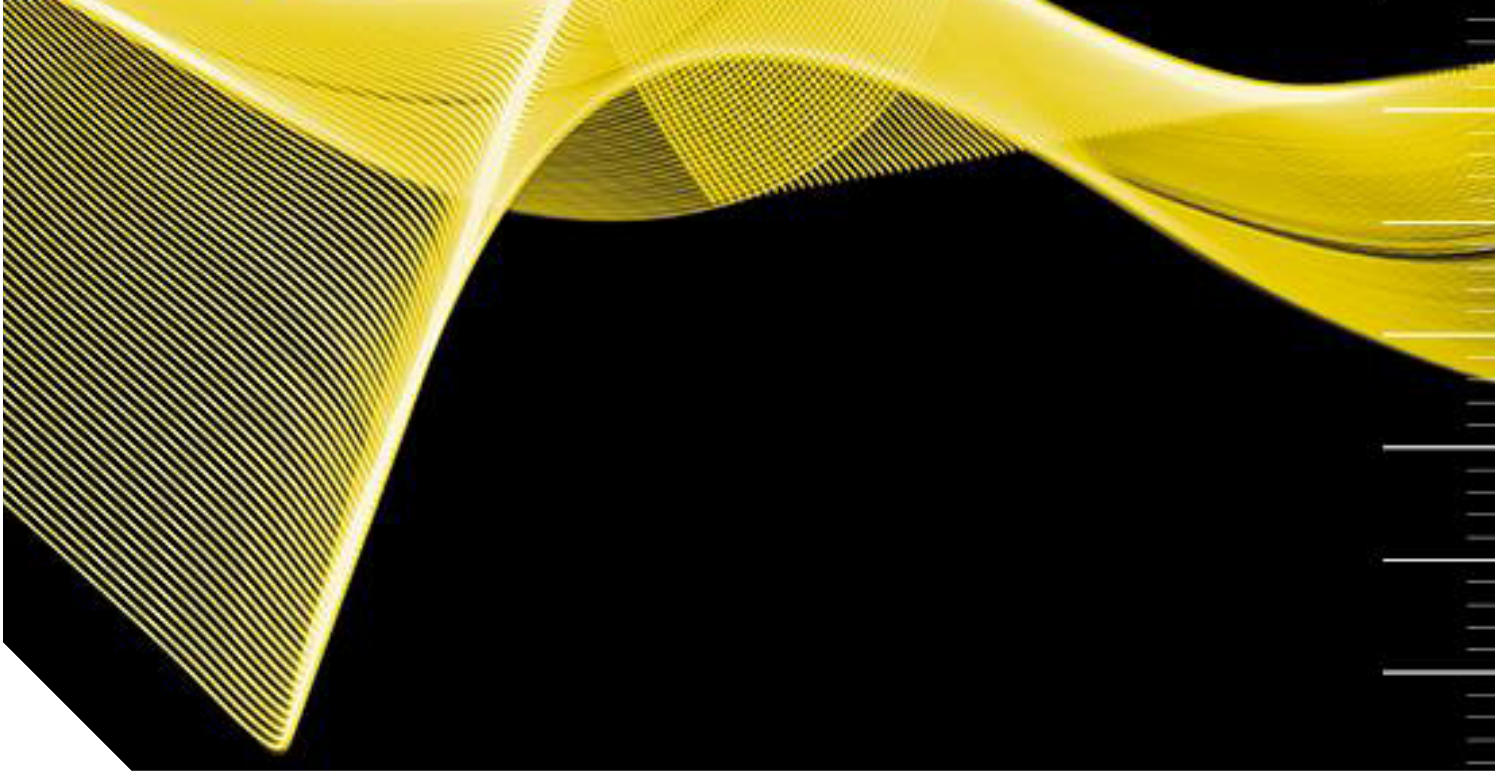
High quality, a straightforward, appealing design, functionality and an enormous range of available model variants, thus offering an unbeatably wide variety of applications.

The AuLED type of lamp is a true „allrounder“, its housing made of aluminium or stainless steel, cooled, as built-in or surface lamp, M8 or M12 connector, pure white light or the combination of all colours ...

please discover on the next pages the great diversity of our AuLED product range.

As diverse as the models available are the potential fields of applications of our AuLED lamps: no matter whether it is in the food industry, classical mechanical engineering, textile industry or in workshops – our AuLED lamps reliably ensure optimal lighting conditions.





AuLED 40/504001



// TECHNICAL DATA

ITEM NO.: 592-504-001

Operating voltage	24 V DC
Rated output	18 W
Ambient temp.	-5°C - max. 40°C
System of protection	IP67
Protection class	SK II
Weight	1,19 kg
Glass plate	ESG
Lamp housing	Aluminium, anodized
Type of lighting	Surface lamp
Scope of application	Industrial sector



// LIGHT SOURCES

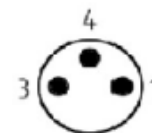
Number of LEDs	84
Current	0,75 A
Lifetime	> 60.000 h
Colour rendering	Ra > 80
Energy efficiency class	A ++
Luminous flux	2660 lm
Light efficiency	147 lm / W
Light colour	5000 K

// BALLAST (external)

Output voltage	24 V DC
Output power	min. 22 W

// ELECTRICAL CONNECTION

Type of connection	Flange plug M8x1, 3-pole
Pin assignment	Pin 1: + 24 V DC; Pin 3: GND



// FEATURES

- Robust aluminium housing – good heat dissipation
- 270x70x15 – particularly slim design
- Resistant against the most common coolants & lubricants
- M8 plug connector
- Connection cable included



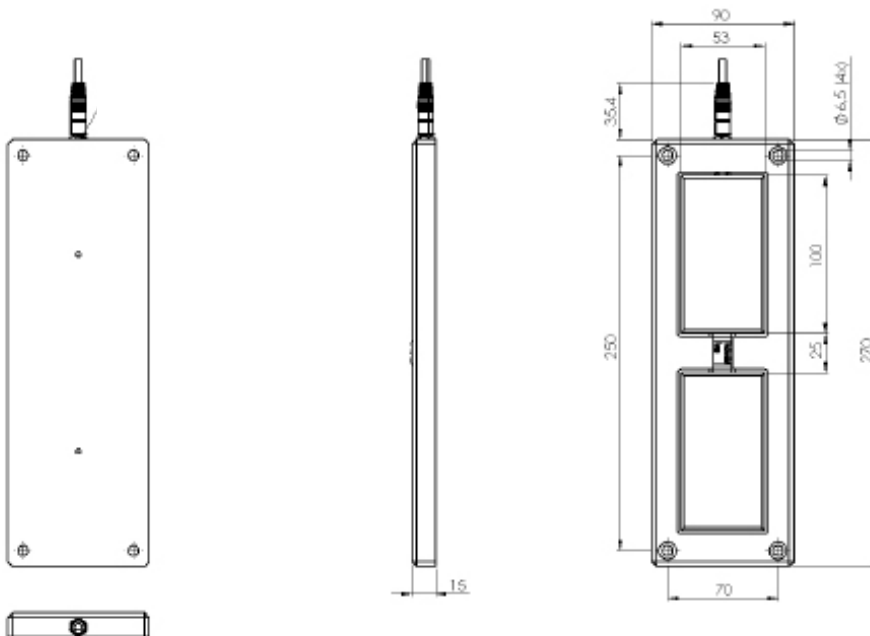
// SHORT OVERVIEW

TYPE	ITEM NO.	VOLTAGE	POWER	LUMINOUS/ LUMEN	COVERAGE	DIMENSIONS/ MM	PLUG
AuLED 40	592-504-001	24 V DC	18 W	2660	ESG, clear	270x70x15	M8, lateral

// VARIATIONS

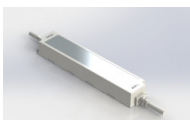
TYPE	ITEM NO.	VOLTAGE	POWER	LUMINOUS/ LUMEN	COVERAGE	DIMENSIONS/ MM	PLUG
AuLED 40	592-504-002	24 V DC	18 W	2660	ESG, clear	270x70x15	M8, back-mounted

// TECHNICAL DRAWING



// ACCESSORIES (optional)

Power supply SELV (IP67)

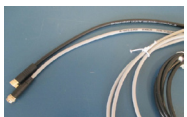


ITEM NO. 213-820-219

Input: 110-240 V | 50-60 Hz

Output: 24 V DC | max. 25 W

Connection cable M8



ITEM NO. 214-100-001

System of protection IP 67 | Length = 2 m

// STANDARDS

EN 55015:2016-04
 EN 60598-1:2015-10
 EN 62031:2015-09
 UL 2108

TECHMALUX

AuLED 40/504003

red/white



// TECHNICAL DATA

ITEM NO.: 592-504-003

Operating voltage	24 V DC
Rated output (w/r)	9 W 7,7 W
Ambient temp.	-5°C - max. 40°C
System of protection	IP67
Protection class	SK II
Weight	1,25 kg
Glass plate	ESG
Lamp housing	Aluminium, anodized
Type of lighting	Surface lamp
Scope of application	Industrial sector



// LIGHT SOURCES

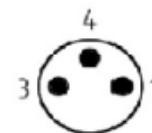
Number of LEDs (w/r)	42 24
Current (w/r)	375 mA 320 mA
Colour rendering	(w) Ra > 80
Dominant wavelength	r: 625 nm
Luminous flux (w/r)	1330 lm 238 lm
Light colour (w)	5000 K

// BALLAST (external)

Output voltage	24 V DC
Output power	min. 20 W

// ELECTRICAL CONNECTION

Type of connection	Flange plug M8x1, 3-pole
Pin assignment	Pin 1: + 24 V DC; Pin 3: GND ws Pin 4: GND rt



// FEATURES

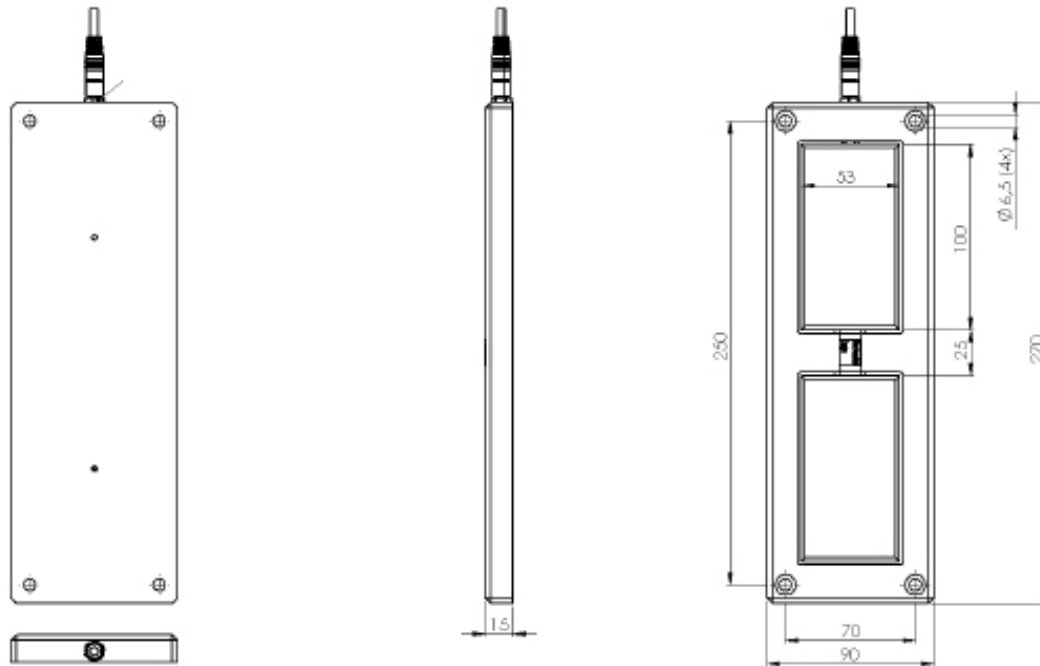
- Bi-colour „Red/White“ – to indicate process states
- Connection cable included
- Fits in well with the surroundings due to low installation height
- Excellent light output
- Popular M8 plug connector



// SHORT OVERVIEW

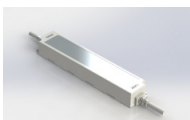
TYPE	ITEM NO.	VOLTAGE	POWER	LUMINOUS/ LUMEN	COVERAGE	DIMENSIONS/ MM	PLUG
AuLED 40	592-504-003	24 V DC	9 W 7,7 W	1330 238	ESG, clear	250x90x15	M8, lateral

// TECHNICAL DRAWING



// ACCESSORIES (optional)

Power supply SELV (IP67)

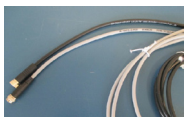


ITEM NO. 213-820-219

Input: 110-240 V | 50-60 Hz

Output: 24 V DC | max. 25 W

Connection cable M8



ITEM NO. 214-100-001

System of protection IP 67 | Length = 2 m

// STANDARDS

EN 55015:2016-04
 EN 60598-1:2015-10
 EN 62031:2015-09
 UL 2108

TECHMALUX