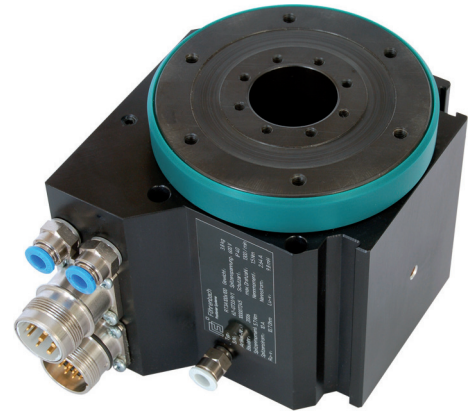


Rotary Table RT3A 100x100

Handling, Assembly Technologies, Machining Technologies,
Laser Processing, etc.
... but also for your application

- ✓ *high rigidity*
- ✓ *highest accuracy*
- ✓ *optimal speed-ability*



Rotary Table RT3A 100x100

Directly driven rotary table with iron-afflicted electronically commutated 3-phase synchronous motor with permanently magnetically excited secondary part. The rotary table housing is made of aluminium, the rotary plate is made of steel.

Mechanical Specifications

■ Dimension	[mm]	143x110
■ Overall height	[mm]	104
■ Rotary plate	[mm]	Ø99
■ Transmitted light aperture	[mm]	Ø30
■ Rotary plate centering fit	[mm]	Ø30H7
■ Housing centering fit	[mm]	Ø92H7
■ Positioning accuracy (compensated)	[arcsec]	10
■ Repeating accuracy	[arcsec]	2
■ Mass moment of inertia (rotor)	[kgm ²]	0.001
■ Radial run-out deviation	[µm]	4
■ Flatness	[µm]	4
■ Allowable axial load (static)	[kN]	1.7
■ Allowable radial load (static)	[kN]	1.2
■ Allowable tilting moment	[Nm]	81
■ Maximum speed	[1/min]	1300
■ Weight	[kg]	3.8

Protection Class

■ Protection class	IP 40	(Other protection classes on request)
■ Protection class with blocking air	IP 54	

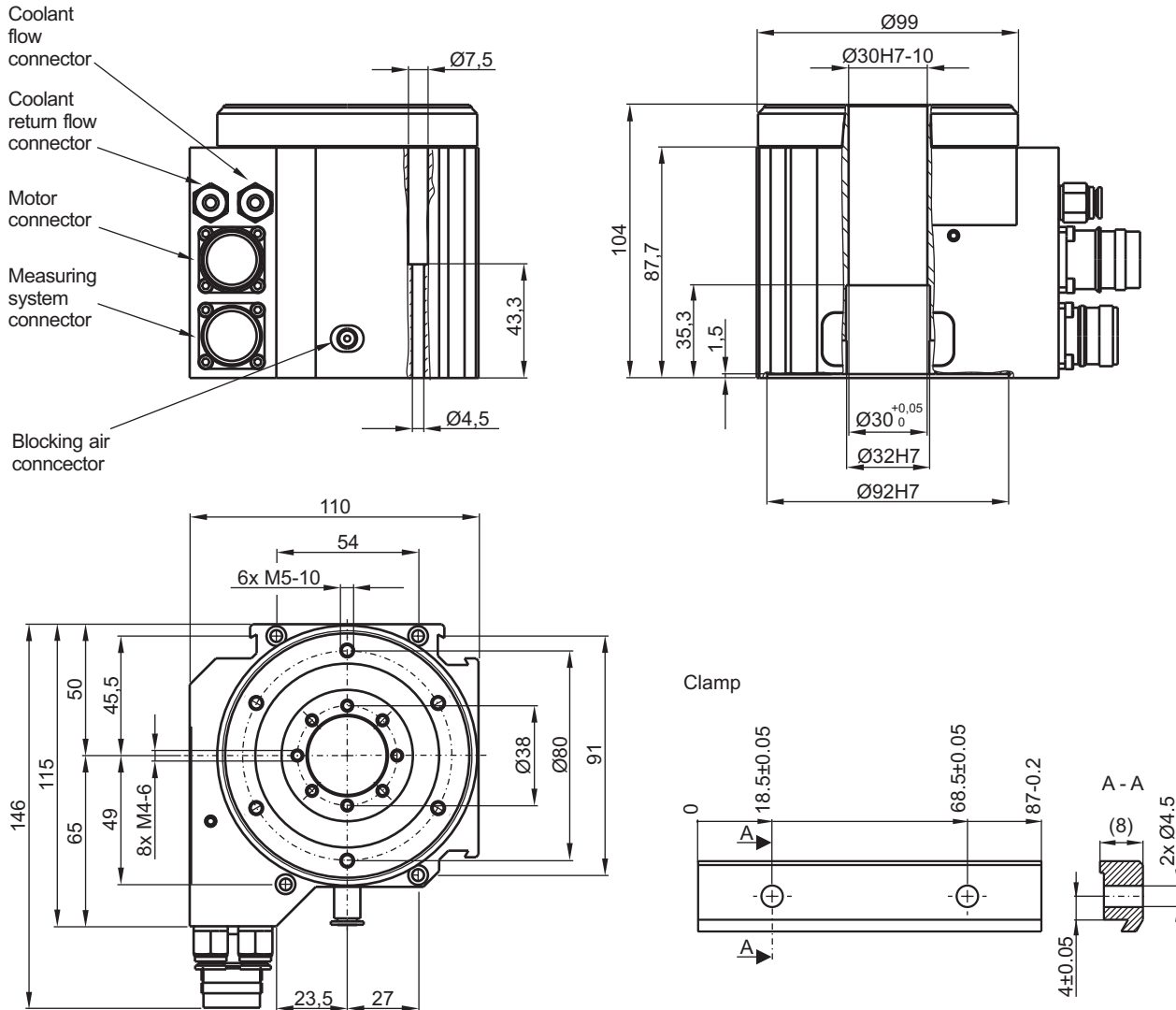
Measurement System

- Renishaw SIGNUM™ measurement system
Standard: External interface with analogue output signal 1 V_{PP}
Alternative: External interface with digital output signals in different resolutions on request
- 11840 Increments per rotation
- Integrated reference mark

Motor Data

■ Rated torque (convection-cooled)	[Nm]	1.5
■ Rated torque (water-cooled)	[Nm]	2.5
■ Rated current	[A]	2.64
■ Peak torque (3 s)	[Nm]	5.0
■ Peak current (3 s)	[A]	8.8
■ Power loss with rated torque	[W]	75
■ Counter voltage constant	[V/100 min ⁻¹]	4.99
■ Electrical time constant	[ms]	1.19
■ Inductance (phase to phase)	[mH]	12.8
■ Resistance (phase to phase, 25 °C)	[Ω]	10.8
■ Number of pole pairs		6
■ Allowable winding temperature	[°C]	60
■ Intermediate circuit voltage	[V]	600

Dimension



Connectors

- Motor: Connector 4+4 pins
- Measurement system: Connector 17 pins
- Blocking air connector: Push-in fitting QSM-M5-6-I, air quality according to DIN ISO8573-1
- Connector for cooling: Push-in fitting QS-G1/8-6

Accessories

- Mounting kit consisting of:
 - 2 x clamp
 - 4 x hexagonal screw DIN 933-M4x16-8.8
 - 4 x lock washer DIN 127-B-4.1-A2

Order Information

- Rotary table RT3A 100x100 | part no. 100007245
- Mounting kit | part no. 100008269
- 4+4 pins femal connector | part no. 300003917
- Femal connector, interface | part no. 300004222